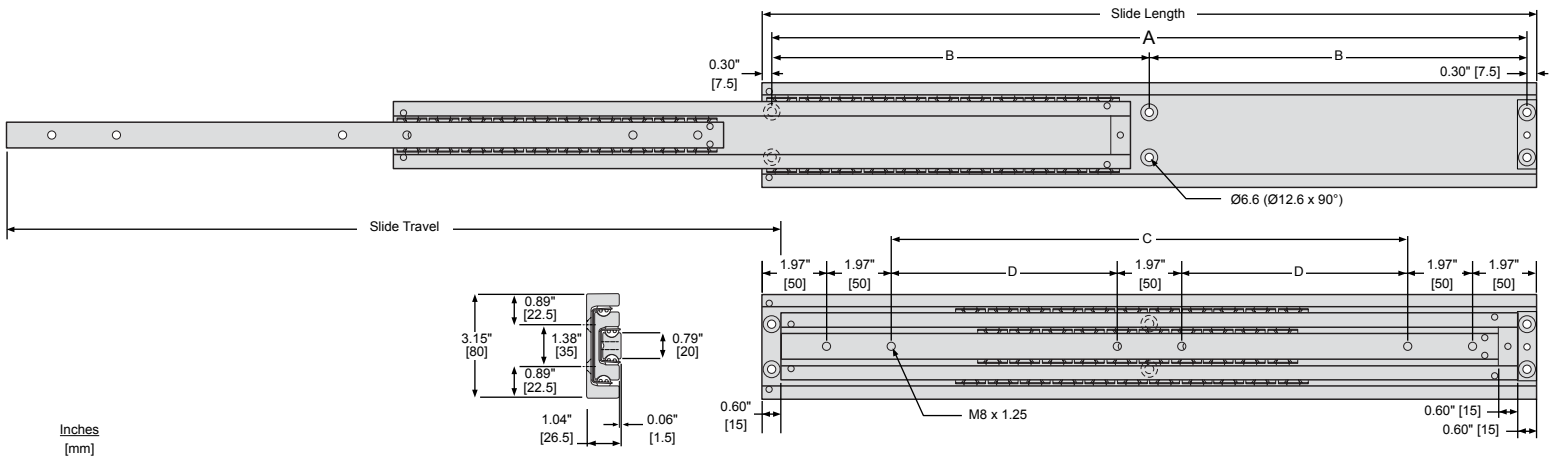


Applications: This slide is ideal for extra heavy duty applications in environments subject to corrosion.

Aluminum
Full Extension
Up to 661 lbs. [300 kg] Load Rating**
Slides Sold in Pairs



Inches
[mm]

- | | |
|--|--|
| Finish: Aluminum | Load Rating: Up to 661 lbs. [300 kg] per Pair |
| Travel: Full Extension | Side Space: 1.04" *** [26.5 mm] |
| Height: 3.15" *** [80 mm] | Mounting: Side mount/hard mount |
| Lengths: 12" – 28", 32", 36", and 40" ***
[300 mm – 700 mm, 800 mm, 900 mm, and 1000 mm] | Hardware: Recommended 1/4" or M6 flat head screws and M8 screws x 1.25 (not included) |

Part Number	Slide Length/Travel	A	B	C	D	Load Rating **
AL4160-12	11.81 [300]	11.22 [285]	5.61 [142.5]	3.94 [100]	.98 [25]	529 [240]
AL4160-14	13.78 [350]	13.19 [335]	6.59 [167.5]	5.91 [150]	1.97 [50]	562 [255]
AL4160-16	15.75 [400]	15.16 [385]	7.58 [192.5]	7.87 [200]	2.95 [75]	595 [270]
AL4160-18	17.72 [450]	17.12 [435]	8.56 [217.5]	9.84 [250]	3.94 [100]	628 [285]
AL4160-20	19.69 [500]	19.10 [485]	9.55 [242.5]	11.81 [300]	4.92 [125]	661 [300]
AL4160-22	21.65 [550]	21.06 [535]	10.53 [267.5]	13.78 [350]	5.91 [150]	661 [300]
AL4160-24	23.62 [600]	23.03 [585]	11.52 [292.5]	15.75 [400]	6.89 [175]	661 [300]
AL4160-26	25.59 [650]	25.0 [635]	12.50 [317.5]	17.72 [450]	7.87 [200]	650 [295]
AL4160-28	27.56 [700]	26.97 [685]	13.48 [342.5]	19.69 [500]	8.86 [225]	639 [290]
AL4160-32	31.50 [800]	30.91 [785]	15.45 [392.5]	23.62 [600]	10.83 [275]	595 [270]
AL4160-36	35.43 [900]	34.84 [885]	17.42 [442.5]	27.56 [700]	12.80 [325]	551 [250]
AL4160-40	39.37 [1000]	38.78 [985]	19.39 [492.5]	31.50 [800]	14.76 [375]	507 [230]

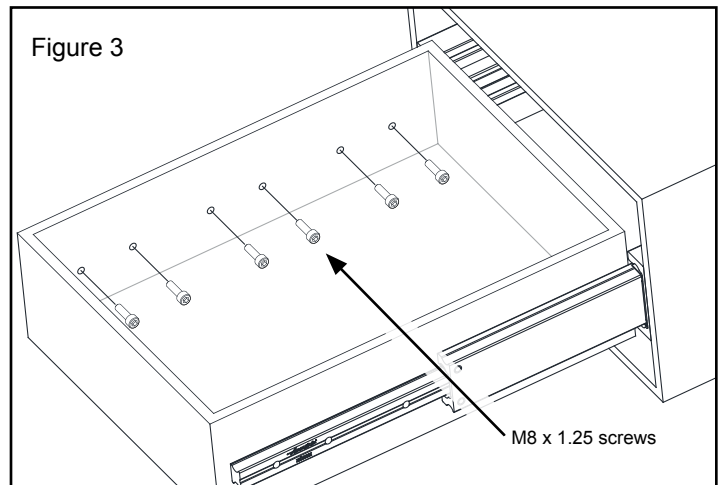
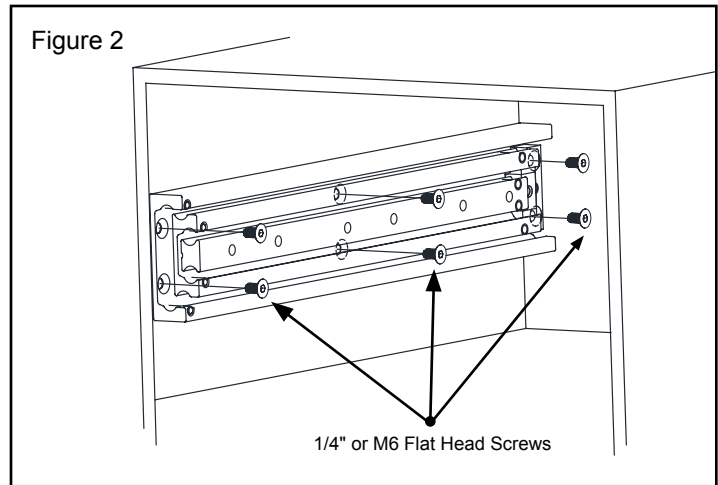
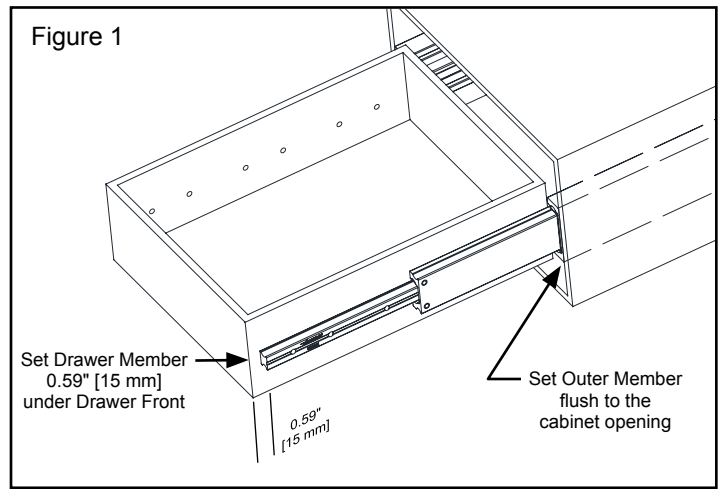
** Load rating based on a pair of slides mounted 24" apart and tested at 10,000 cycles.

*** The lengths indicated in inches are approximate conversions from the metric measurements. Please see chart above for exact dimensions.

Installation Instructions

▲ Important: Accuride recommends first pre-drilling all mounting holes. Align the slide as described below to pre-drill.

1. Position the outer member flush to the cabinet or rack opening (Figure 1). Mount the slide member to the cabinet or rack (Figure 2) using 1/4" or M6 flat head screws (not included). The optional mounting method is to use M6 flat head screws. Be sure slides are parallel.
2. Position the inner member 0.59" [15mm] underflush from the front of the drawer or chassis. Mount the inner member using M8 x 1.25 screws. Screws are inserted through the drawer/chassis and into the inner member's threaded holes (Figure 1).
3. Check slide alignment by opening and closing the drawer/chassis. Any sign of binding indicates an issue with side space, alignment, or the cabinet and/or drawer are out of square. To adjust alignment, loosen the screws and adjust the slide position until movement is smooth. Retighten screws.
4. Add screws to remaining holes. All fixing positions must be used to achieve maximum load rating. To ensure proper slide operation, all M8 x 1.25 mounting screws must be fully inserted so that the screws do not interfere with slide movement.



Packaging

Bulk Pack: All lengths are packaged one pair per box. Packaging includes two slides and a technical sheet. Fasteners are not included.

Specifications

Slide Members: Aluminum
 Ball Retainers: Stainless Steel
 Ball Bearings: Stainless Steel
 Aluminum finish is **RoHS** compliant

Note: Specifications, materials, prices, terms, delivery are subject to change without notice.

Slide Ordering Instructions

Complete your slide order for Model AL4160 by specifying the following information:

10 pair **AL** **4160** **-16P**

Total Slides Required _____
 Slide Finish _____
 Slide Model _____
 Slide Length _____
 (Fasteners are **not** included)

Note: End stops have been tested to 10 cycles with the nominated loads at 0.8m/s. We recommend that additional external stopping arrangements are used.

Note: We recommend that quality grease, rated for extreme pressure, re-applied at 2000 cycle intervals for maximum performance.

Note: Vertical (side) mounting only.

Accuride®

Accuride International Inc.

12311 Shoemaker Avenue
 Santa Fe Springs, CA 90670
 TEL (562) 903-0200
 FAX (562) 903-0208

Manufacturing, Engineering, and Sales
 United States • Germany • Japan •
 Mexico • United Kingdom • China

For the most current technical information visit www.accuride.com

▲ WARNING: This product can expose you to chemicals including nickel, which is known to the State of California to cause cancer and birth defects or other reproductive harm. For more information go to www.P65Warnings.ca.gov.